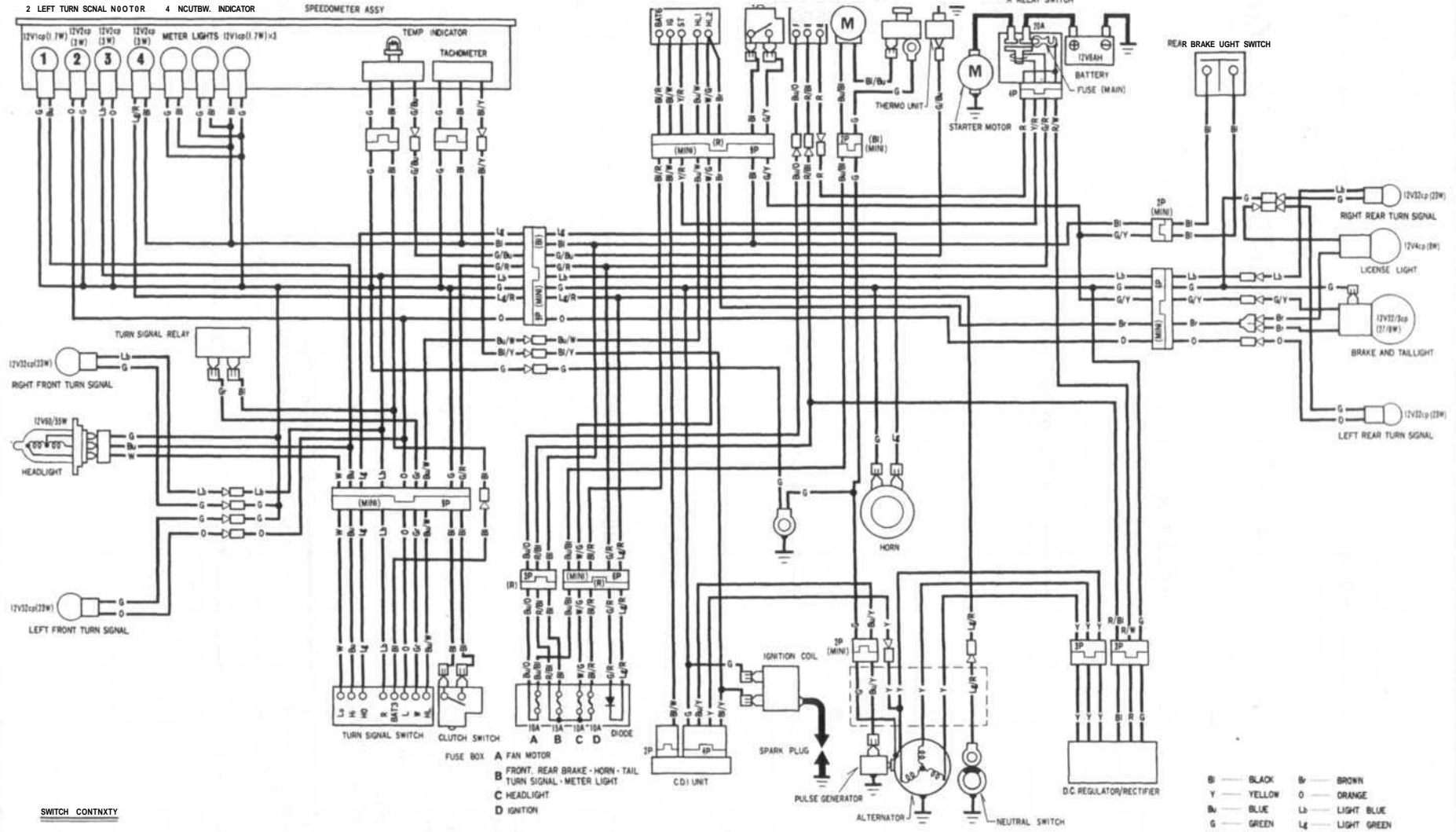


- 1 HIGH KAM INDICATOR
- 2 LEFT TURN SCNL NOOTR
- 4 NCUTBW. INDICATOR

STARTER • ENQNE STOP

THERMO SWITCH



SWITCH CONTXNTY

IGNITION SWITCH		
	BAT1	BAT2 FAN
ON	○	○
OFF		
LOCK		
COLOR	R	R/B B/O

ENGINE STOP SWITCH	
OFF	1 BAT6
	○
RUN	
COLOR	B/W BR

STARTER SWITCH			
	IG	ST	HL1 HL2
FREE	○		○
PUSH			
COLOR	B/W YR	W/G Br	Bu/W

TURN SIGNAL SWITCH		
	R	W L
R	○	
N		
L		○
COLOR	Lb	Gr O

DIMMER SWITCH			
	HI	HL	Lo
HI	○		
(N)			
Lo			○
COLOR	Bu	Bu/W	W

HORN SWITCH	
FREE	BAT3 HD
	○
PUSH	
COLOR	Bl Lg

- B — BLACK
- Y — YELLOW
- Bu — BLUE
- G — GREEN
- R — RED
- W — WHITE
- Br — BROWN
- O — ORANGE
- Lb — LIGHT BLUE
- Lg — LIGHT GREEN
- P — PINK
- Gr — GRAY