

# 15. FAIRING/EXHAUST SYSTEM

EXHAUST PIPE/MUFFLER

15-1 REAR CARRIER (AFTER '88)

15-3

SEAT & FAIRINGS

15-2

## EXHAUST PIPE/MUFFLER

### ▲ WARNING

- Do **not** service the exhaust pipe or muffler while they are hot.

### REMOVAL/INSTALLATION

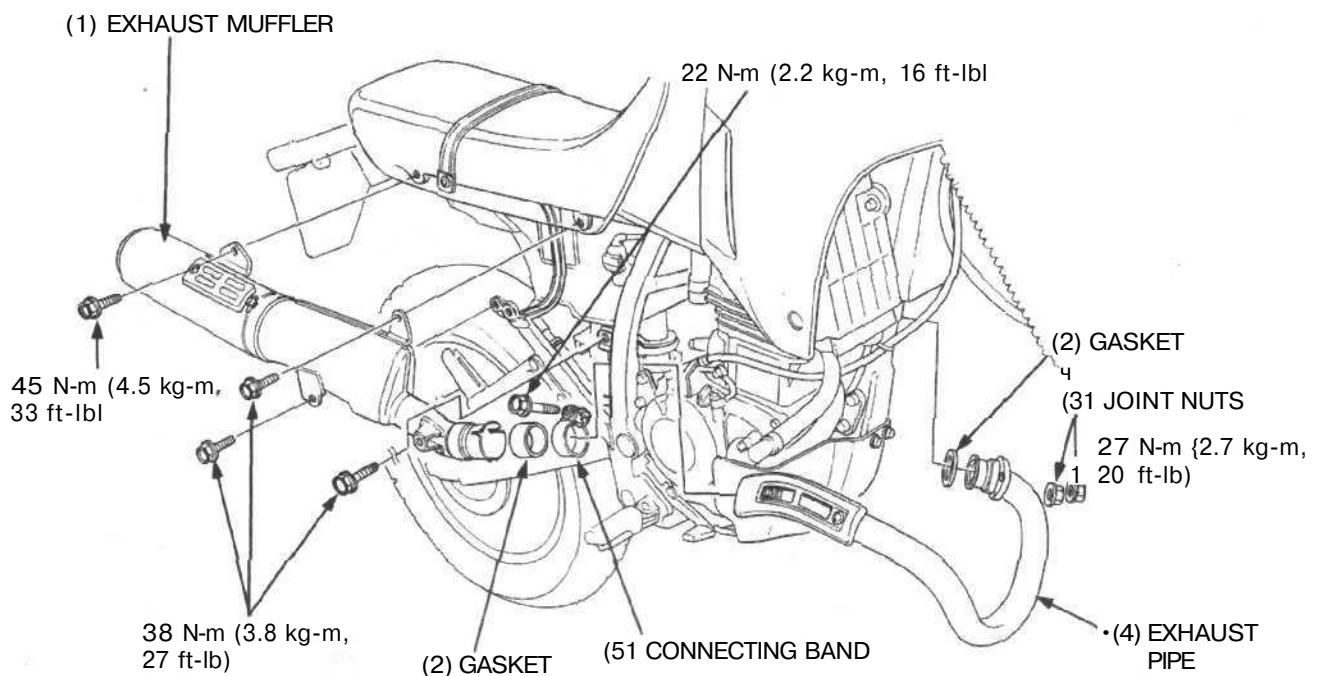
Remove the following:

- right side cover (page 15-2)
- joint nuts
- connecting band bolt
- exhaust muffler bolts

### CAUTION

- Do not sit on the seat, after removing the muffler.

Install the exhaust pipe/muffler in the reverse order of removal.



### NOTE

- After installing, make sure that there are no exhaust leaks.

## SEAT & FAIRINGS

### REMOVAL/INSTALLATION

#### SEAT

Unlock the seat lock from the hook latch while turning the key clockwise.

Remove the seat by pulling it backward.

Install the seat in the reverse order of removal.

#### SIDE COVER

Remove the side cover mounting bolt and unhook the cover hooks from the frame, then remove the side cover.

#### FAIRING INNER COVERS

Remove the inner cover mounting bolts and covers.

Install the inner covers in the reverse order of removal.

#### SIDE FAIRING

Remove the inner covers.

Remove the side fairing mounting bolts then pull out the

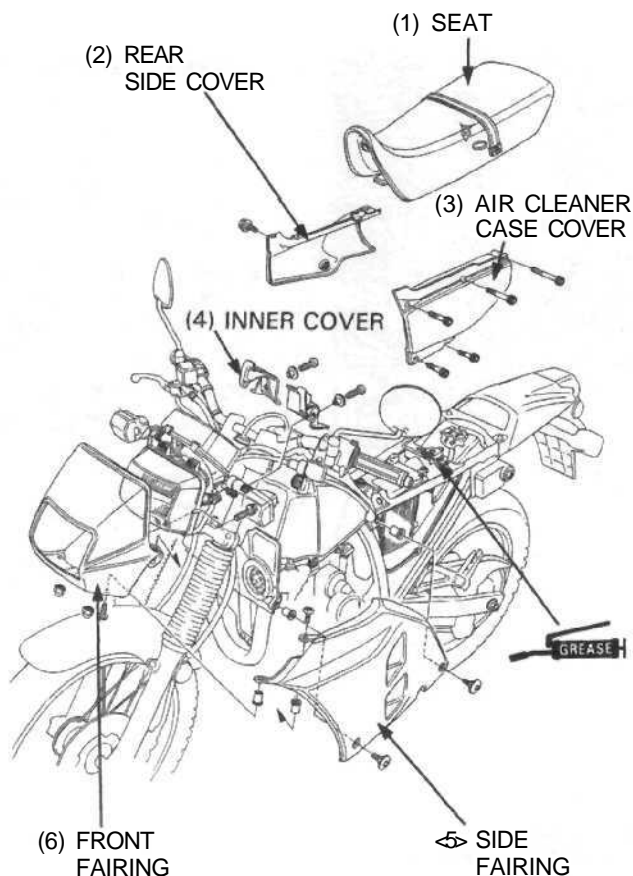
prongs.

Carefully pull the fairing down and off the frame.

#### FRONT FAIRING

Remove the inner covers and side fairings.

Remove the cap nuts and bolts, then remove the front fairing.



## REAR CARRIER (AFTER'88)

### REMOVAL

- Remove the caps from the carrier
- Loosen the carrier base 6 mm SH bolts more than five threads.
- Remove the socket bolts and nuts.
- Remove the rear carrier assembly by pulling upward while spreading both lower ends.

### INSTALLATION

- Install the rear carrier in the reverse order of removal.

